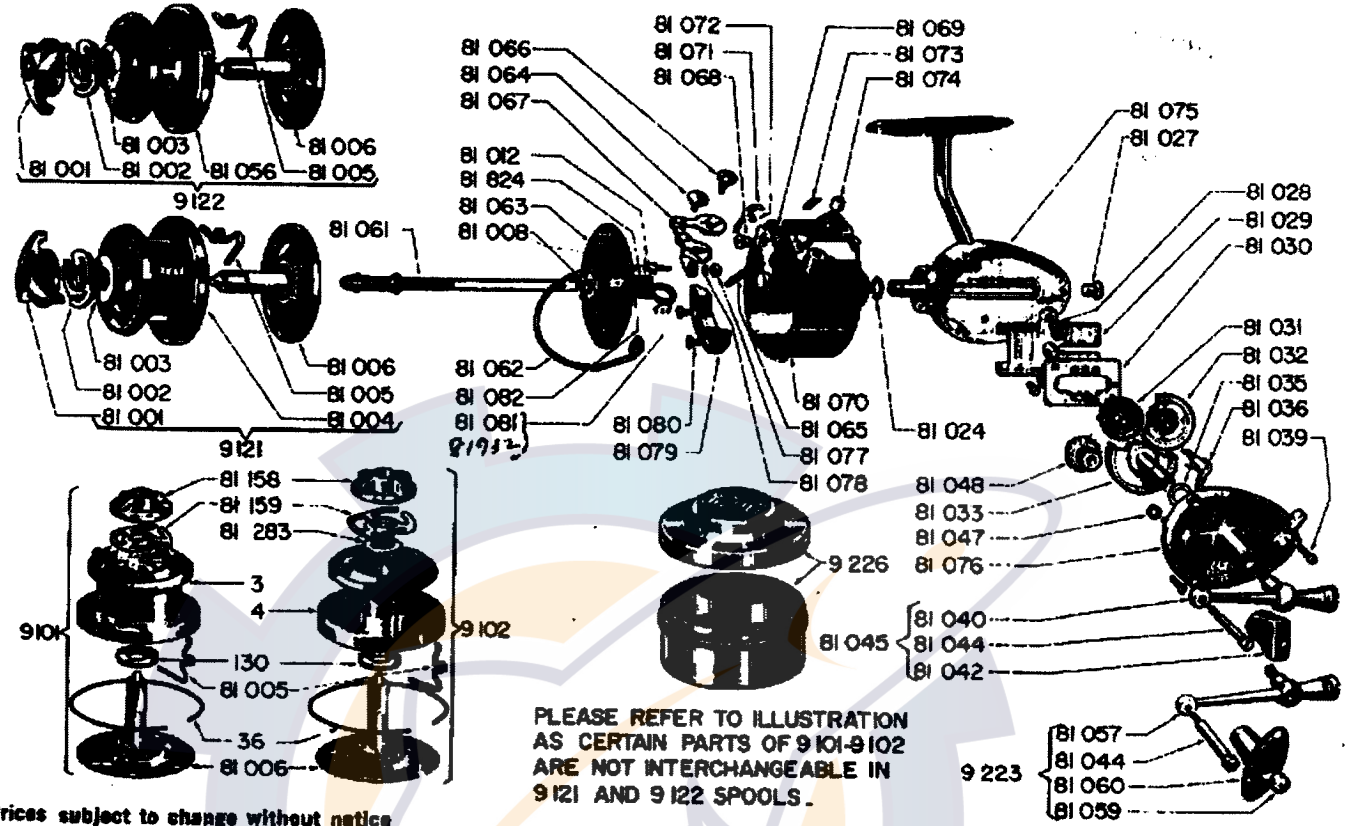


Garcia MITCHELL 330



Prices subject to change without notice
 *Use only the number of shims required for smoothest performance

Please specify both reel model and part numbers when ordering.

No.	Part Name	Price	No.	Part Name	Price	No.	Part Name	Price
9121	Spool Complete, Small (9101) (9102)	4.75	81027 (15)	Lube Port Screw	.10	81065 (63)	Trip Lever Spring	.10
9122	Spool Complete, Large (9101) (9102)	5.75	81028 (28)	Oscillation Guide Screw (ea.)	.06	81066 (64)	Ball Mount Screw	.25
9101	Spool Shell, Small (9101)	1.10	81029 (29)	Oscillation Guide	40.30	81067 (68)	Bail Wire Mount	2.50
9102	Spool Shell, Large (9101) (9102)	1.10	81030 (27)	Oscillation Slide	50.40	81068 (65)	Trip Lever Screw	.30
9121 (113)	Spool Complete, Small, Less Container	4.25	81031 (30)	Pivot Gear	.45	81069 (66)	Trip Lever	2.00
9122 (114)	Spool Complete, Large, Less Container	5.25	81032 (31)	Transfer Gear	.45	81070 (67)	Rotating Head	2.50
9223 (849)	Accessory Handle, Torpedo Knob	3.75	81033 (25)	Drive Gear	1.00	81071 (71)	Ball Lock Spring	.30
9226	Spool Container	90.00	81035 (54)	Shims To Adjust Drive Gear, Optional (set of 2)	.20	81072 (72)	Ball Lock Screw	.30
9231	Combination Tool	1.30	81036 (24)	Anti Reverse Dog	81.75	81073 (73)	Ball Lock Button	.30
81001 (112)	Drag Adjusting Knob (9121) (9122)	1.00	81039 (14)	Cover Screw (ea.)	.10	81074 (81)	Ball Mount Bearing	2.50
81002 (111)	Brake Spring (9121) (9122)	36.50	81040 (90)	Handle Shank	2.50	81075 (60)	Housing	4.50
81003 (135)	Teflon Drag Washer (9121) (9122)	.10	81042 (56)	Handle Knob	.25	81076 (80)	Cover Plate	2.50
81004 (110)	Spool Shell, Small (9121)	1.10	81044 (57)	Handle Knob Screw	.25	81077 (76)	Bail Wire Lock Nut	.30
81005 (388)	Click Spring	.10	81045 (168)	Handle Complete, Standard	3.00	81078 (70)	Bail Wire Lock Washer	10.00
81006 (6)	Spindle	2.00	81047 (51)	Shims To Adjust Pinion Gear (set of 2)	.20	81079 (96)	Counterweight	50.00
81008 (35)	Hex Nut	.10	81048 (26)	Pinion Gear	1.00	81080 (97)	Counterweight Screw (ea.)	.10
81012 (79)	Shims To Adjust Head and Baffle Plate (set of 3)	.30	81056 (109)	Spool Shell, Large (9122)	2.00	81081 (69)	Ball Spring	.30
81024 (49A)	Shims To Adjust Head and Housing (set of 3)	.30	81057 (85)	Handle Shank (9223)	2.50	81082 (78)	Keyed Washer	.10
			81059 (107)	Knob Lube Port (9223)	.10	81158 (1)	Drag Adjusting Knob (9101) (9102)	2.50
			81060 (84)	Handle Knob (9223)	.50	81159 (2)	Brake Spring (9101) (9102)	30.50
			81061 (77)	Arxle	1.25	81283 (5)	Fibre Drag Washer (9102)	.10
			81062 (74)	Bail Wire	7.25	81824 (78)	Raffle Plate Washer	.10
			81063 (61)	Baffle Plate	.50			
			81064 (62)	Bail Pivot Screw	.25			

PARTS AND SERVICE AVAILABLE AT THE FOLLOWING REGIONAL FACTORY REPAIR DEPOT:

NEEL SERVICE AND PARTS 800S, REELS AND PARTS SERVICE THE GARCIA SERVICE DEPARTMENT 320 ALFRED AVENUE TEANECK, NEW JERSEY 07600	SHERMAN LOYD SALES COMPANY 4737 GREENVILLE AVENUE DALLAS, TEXAS 75206	HARRY C. MILLER CO., INC. 237 PARK AVENUE SOUTH NEW YORK, NEW YORK 10010	MATE DUELL SERVICE CORPORATION 5013 N. E. 42nd STREET PORTLAND, OREGON 97218
THE GARCIA SERVICE DEPARTMENT 320 ALFRED AVENUE TEANECK, NEW JERSEY 07600	THE CONLON CORPORATION 1117 EAST McFADDEN STREET SANTA ANA, CALIFORNIA 92708	SILICOTE SALES DIVISION 820 WEST 14th AVENUE DENVER, WISCONSIN 54002	J. K. CLARK COMPANY ACE SPORTSMEN SERVICE 13301 VAN DYKE DETROIT, MICHIGAN 48234